

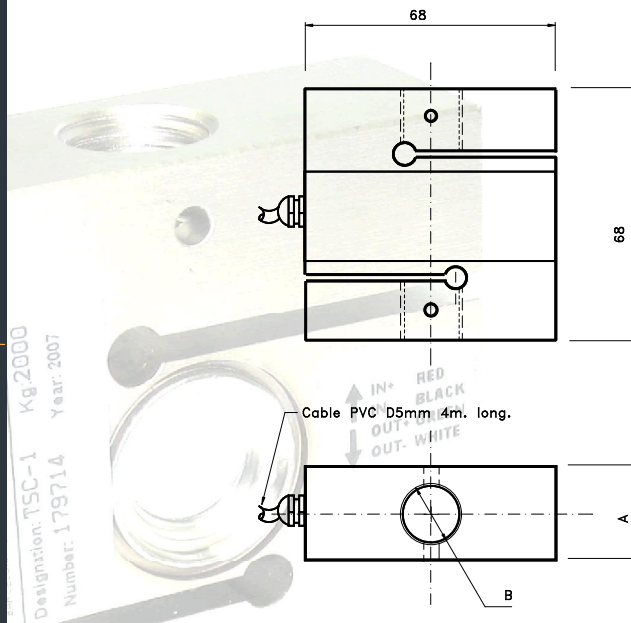
- Tension beam load cell
- 3000 divisions OIML R60 class C
- Hermetically sealed laser welded
- Protected against corrosion by a nickel plated treatment
- Measuring element from alloy steel
- Protected against humidity IP68 (EN60529)



Technical Data

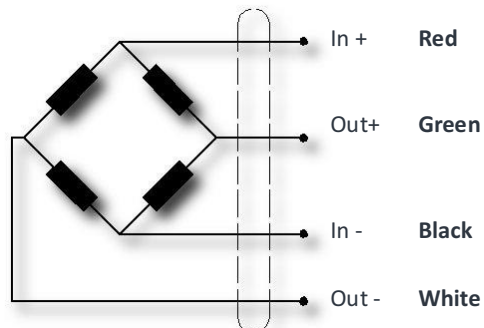
Accuracy Class	C3
Nominal Sensitivity	2mV/V \pm 0.1%
Vmin	8000
Maximum combined error	0.02% N.L
Range of excitation	5..15V
Input Resistance	386 \pm 5 Ω
Output Resistance	350 \pm 5 Ω
Temperature limits OIML R60	-10..40 $^{\circ}$ C
Insulation Resistance	>5000M Ω
Cable length	4m

Mechanical Drawing



C.N. (Kg)	30	50	100	150	300	500	750	1000	1500	2000	2500
A	12.5	12.5	12.5	12.5	20	20	25	25	25	25	25
B	M6	M6	M6	M6	M12	M12	M16	M16	M16	M16	M16

Electrical connection



transdutec, s.a
 cl. joan miro 11
 08930 Sant Adrià de Besòs - Barcelona
 Spain
 Telf.0034 93 381 00 04
 Fax. 0034 93 462 05 99
<http://www.transdutec.com>
 e-mail: transdutec@transdutec.com