

BS-1

Capacity

50 - 75 - 100 - 150 - 200 - 250 - 300 - 500 kg



Certificate
N° E-98.02.C03

Up to 4000 divisions OIML-R60

Fully stainless steel

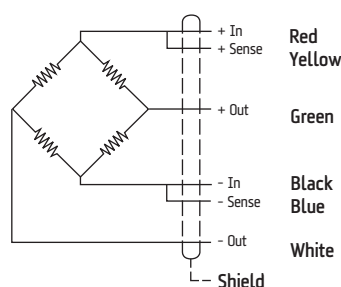
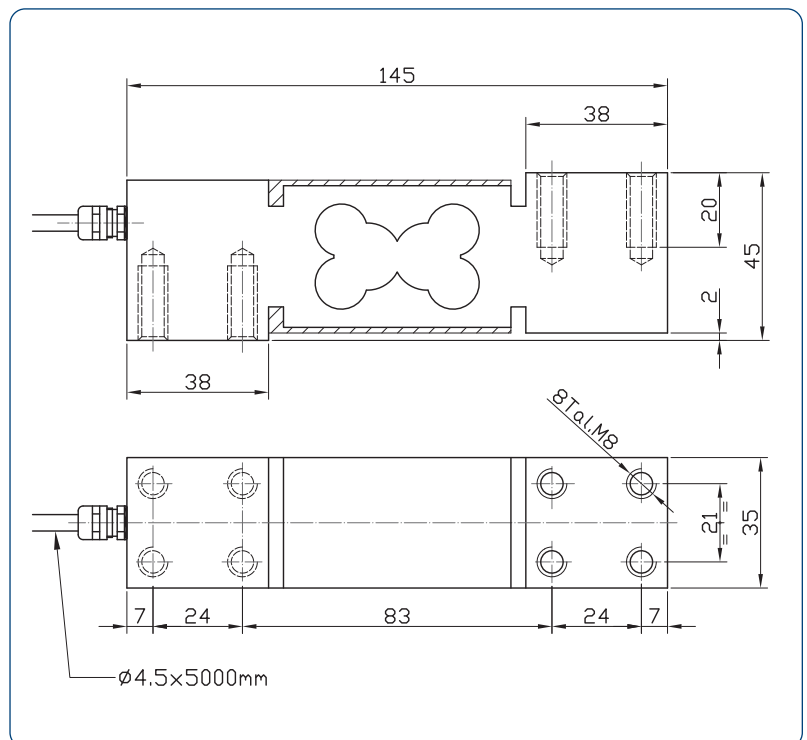
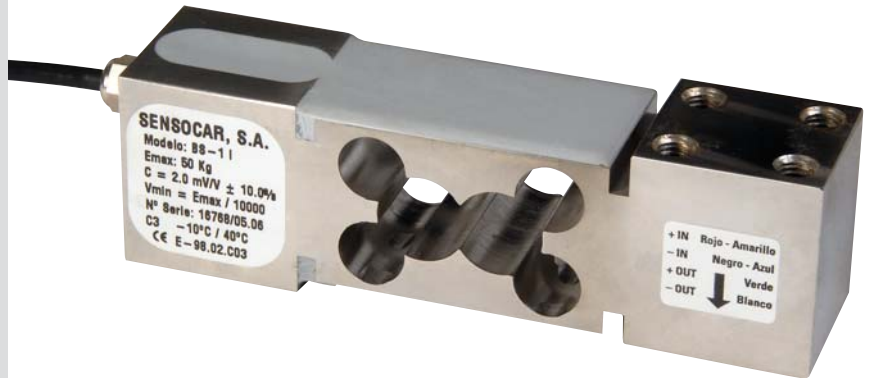
Protected against humidity IP-67
(EN 60529)

Platform up to 600x600 mm

High accuracy with off-center loads

Technical Data

Accuracy class	C3-C4
Rated output	$2 \pm 10\%$ mV/V
Vmin	Emax/10000
Excitation Voltage	5÷15 V
Input Resistance	$390 \pm 3 \Omega$
Output resistance	$350 \pm 3 \Omega$
Temperature limits OIML R60	-10° C / +40° C
Insulation resistance	> 5000 M Ω



SENSOCAR

Tel.: 34 93 780 44 99

Fax: 34 93 780 39 72

www.sensocar.com

comercial@sensocar.com

Connections

Optional Sense