

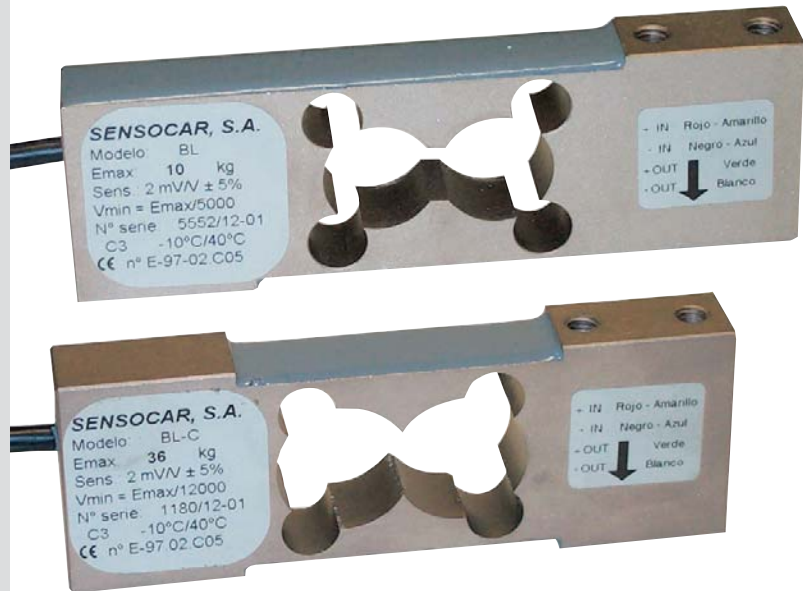
BL/BL-C

Capacity BL
5* - 7* - 10 - 20 - 40 kg

Capacity BL-C
10 - 18 - 36 kg

CE
Certificate
N° E-97.02.C05

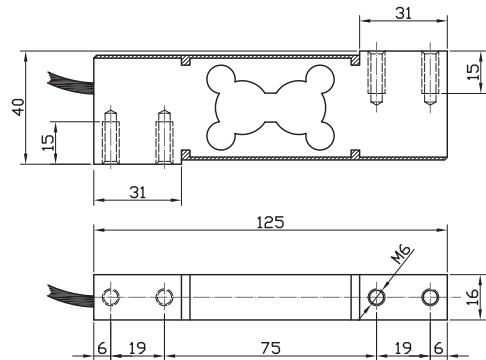
- Up to 6000 divisions OIML-R60
- Measuring element from steel alloy
- Protected against corrosion by nickel-plated treatment
- Available in stainless steel
- Protected against humidity IP-67 (EN 60529)
- Platform up to 380x380 mm
- High accuracy with off-center loads



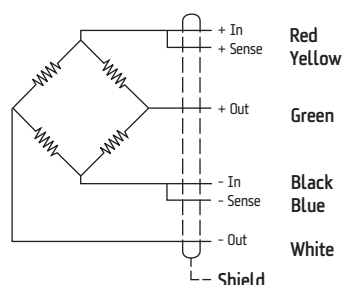
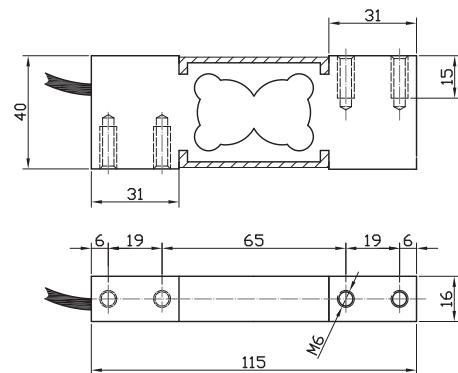
Technical Data

Accuracy class	C3-C4-C5-C6
Rated output	$2 \pm 10\%$ mV/V
Vmin	Emax/18000
Excitation Voltage	5±15 V
Input Resistance	390 ± 3
Output resistance	350 ± 3
Temperature limits OIML R60	-10° C / +40° C
Insulation resistance	> 5000 M

Format BL



Format BL-C



Tel: 34 93 780 44 99
Fax: 34 93 780 39 72
www.sensocar.com
comercial@sensocar.com

* Capacities without CE Test Certificate

Connections
Optional Sense