

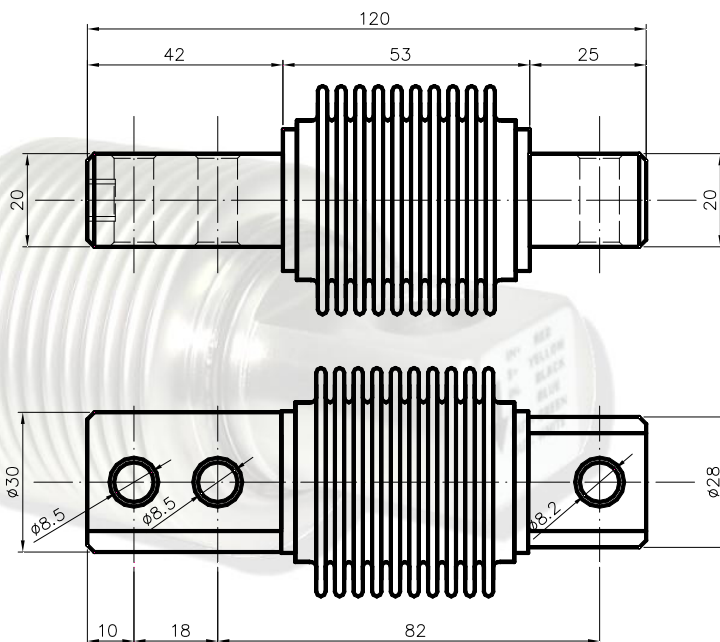
- Bending beam load cell
- 3000 divisions OIML R60 class C
- Hermetically sealed laser welded
- Measurement element from stainless steel
- Protected against humidity IP68 (EN60529)



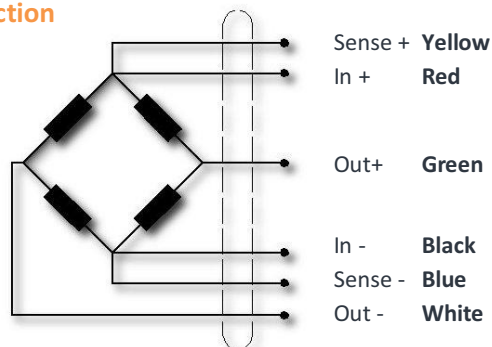
Technical Data

Accuracy Class	C3
Nominal Sensitivity	2mV/V±0.1%
Vmin	8000
Maximum combined error	0.02% N.L
Range of excitation	5..15V
Input Resistance	386 ± 5Ω
Output Resistance	350 ± 5Ω
Temperature limits OIML R60	-10..40°C
Insulation Resistance	>5000MΩ
Cable length	4m

Mechanical Drawing



Electrical connection



transdutec, s.a

cl. joan miro 11

08930 Sant Adrià de Besós - Barcelona
Spain

Telf.0034 93 381 00 04

Fax. 0034 93 462 05 99

<http://www.transdutec.com>

e-mail: transdutec@transdutec.com