

- Shear beam load cell
- 3000 divisions OIML R60 class C
- Hermetically sealed laser welded
- Measuring element from Stainless steel
- Protected against humidity IP68 (EN60529)



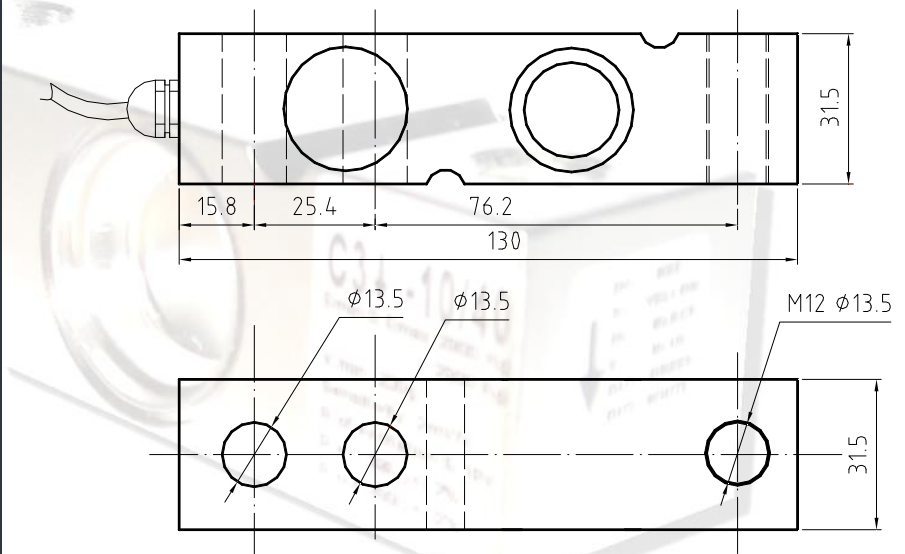
OIML Certificate No. R60/2000-ES-04.01

Technical Data

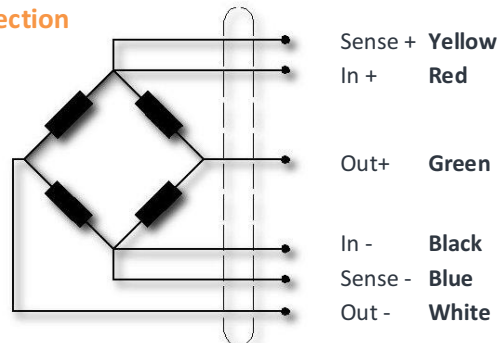


Accuracy Class	C3
Nominal Sensitivity	2mV/V±0.1%
Vmin	10000
Maximum combined error	0.02% N.L
Range of excitation	5..15V
Input Resistance	386 ± 5Ω
Output Resistance	350 ± 5Ω
Temperature limits OIML R60	-10..40°C
Insulation Resistance	>5000MΩ
Cable length	4m

Mechanical Drawing



Electrical connection



transdutec, s.a
 cl. joan miro 11
 08930 Sant Adrià de Besós - Barcelona
 Spain
 Telf.0034 93 381 00 04
 Fax. 0034 93 462 05 99
<http://www.transdutec.com>
 e-mail: transdutec@transdutec.com